

METP. | Balanced crank handle

Technopolymer



MATERIAL

Glass-fibre reinforced polyamide based (PA) technopolymer, black colour, matte finish. Balancing by means of an incorporated counterweight.

CENTRE CLOSING CAP

Technopolymer, black colour. On request and for sufficient quantities it can be supplied in other colours and customised with marks or words.

STANDARD EXECUTION

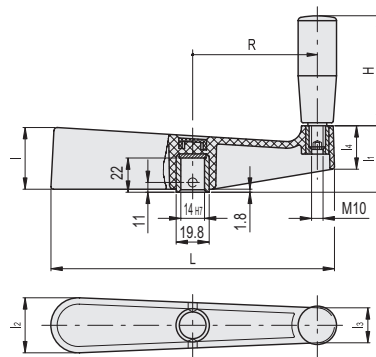
Black-oxide steel boss, H7 reamed hole.
Reamed hole provided with centres already drilled for pinning to shaft.
Revolving handle 1.601+x (see page 499) in technopolymer.

FEATURES

Its surface with matte finish allows a sensible grip during operation, even in case of short approach controls. The revolving handle makes high-speed rotation easier.



ELESA Original design



Code	Description	dH7	L	l1	l2	l3	l4	H	R	⚖	
38901	METP.170	14	170	37	39	33	21	25	65	74	275

Conversion Table	
1 mm = 0,039 inch	
L	
mm	inch
170	6.69



Operating elements